

Standard Preparation Hand Wash Basin - Wall Mounted

ITEM # _____

MODEL # _____

NAME # _____

SIS # _____

AIA # _____



132952 (NHWSW40)

Wall mounted Hand Wash Basin, knee-operated, with 1 bowl, Mixer spout and drain hole

Short Form Specification

Item No. _____

Made from 304 AISI stainless steel. Integral radiused rear upstand. Knee-operated by pressing on front panel. Bowl mm340x365x155h with mixer spout and drain hole.

Main Features

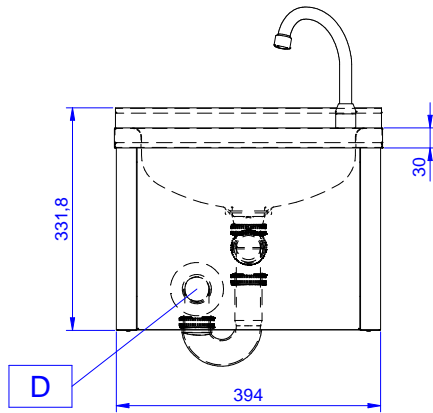
- Steel knee pedal makes the handwashing basin extremely easy to use.
- Easy to clean thanks to the rounded bowl and corners.
- Washbasin can be equipped with a wall panel plus paper and soap dispensers as optional extras.
- Sturdiness, stability and reliability of table accurately tested.

Construction

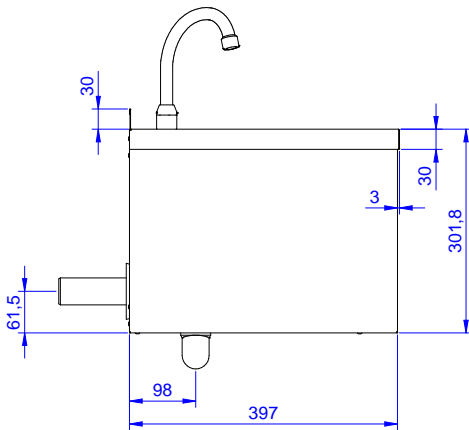
- Mixer spout, ½" in diameter and drain hole supplied as standard.
- Constructed entirely in 18/10 stainless steel.
- Sound deadened pressed bowl with rounded corners and all-round lip to prevent overspill.
- Rear upstand 30 mm in height and 1.5 mm thick.
- Syphon included in the delivery.
- Wide range of taps are available to suit every need.
- 100 mm upstand with 10 mm radiused corner and 13 mm deep, designed to be used against a wall.

APPROVAL: _____

Front

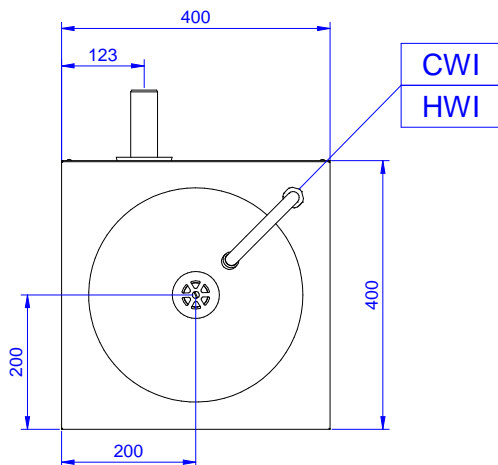


Side



CWI = Cold Water inlet 1 (cleaning)
 D = Drain
 HWI = Hot water inlet

Top


Water:
Water drain outlet size:

132952 (NHWSW40) 1"1/2

Inlet water line size: 1/2"

Incoming Cold/hot Water line size: 1/2"

Key Information:
External dimensions, Width: 400 mm

External dimensions, Depth: 400 mm

External dimensions, Height: 332 mm

Upstand Dimensions, Height: 30 mm

Upstand Dimensions, Depth: 1.5 mm

Upstand Dimensions, Radius: 90°

Bowls number: 1

Bowl dimensions: 340x365xH155

Worktop thickness: 30 mm

Net weight: 12 kg